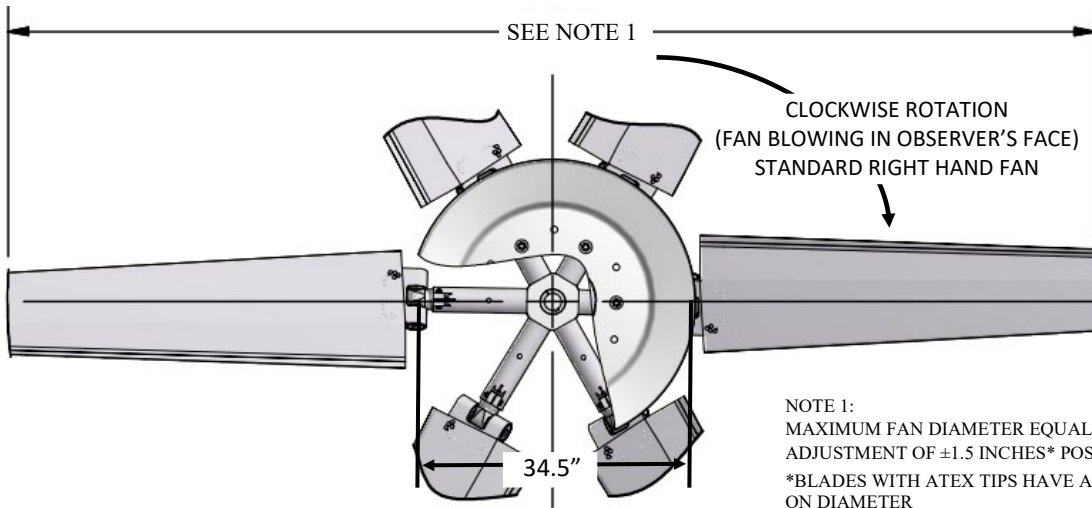
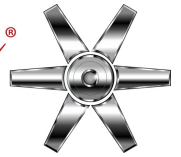


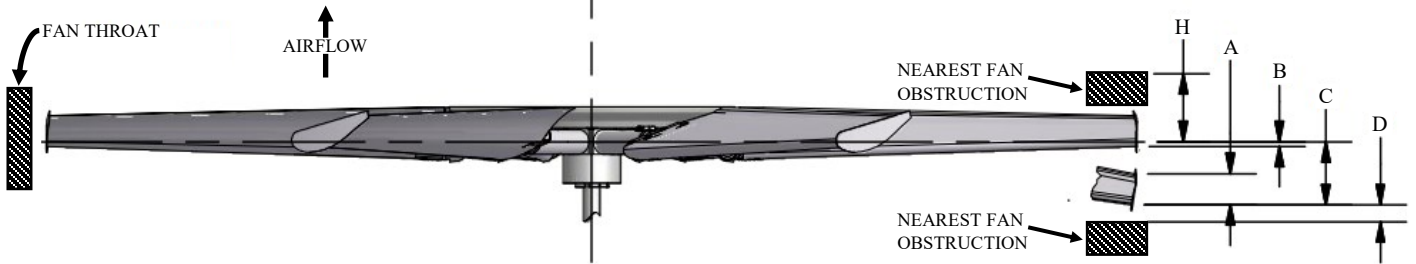
# CLASS 10000 HD SERIES 36 SC

## EXTENDED HUB, RH ROTATION

**Moore**  
FANS

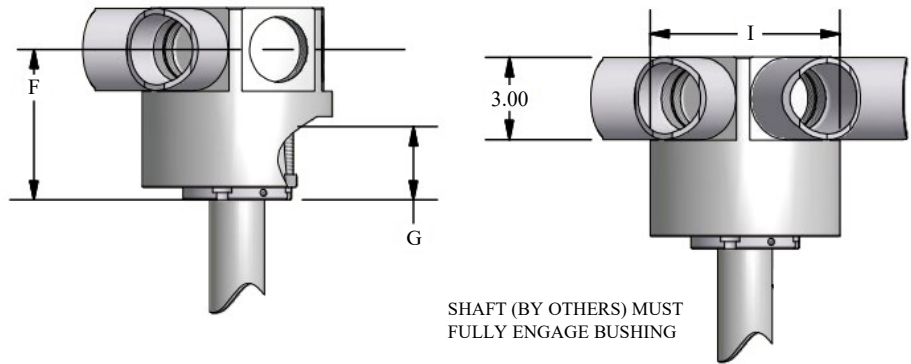


NOTE 1:  
MAXIMUM FAN DIAMETER EQUALS NOMINAL FAN DIAMETER.  
ADJUSTMENT OF ±1.5 INCHES\* POSSIBLE AT INSTALLATION  
\*BLADES WITH ATEX TIPS HAVE ADJUSTMENT OF -1.0" & +2.0"  
ON DIAMETER



- A = BLADE TIP THICKNESS @ 19° BLADE ANGLE
- B = RUNNING POSITION OF BLADES
- C = MAXIMUM DROOP POSITION OF BLADES
- D = MINIMUM OBSTACLE CLEARANCE AT INLET
- F = CENTERLINE OF FAN TO BASE OF BUSHING
- G = BUSHING OVERALL HEIGHT
- H = MINIMUM OBSTACLE CLEARANCE AT OUTLET
- I = NOMINAL MECHANICAL HUB DIAMETER
- L = MAXIMUM BUSHING TORQUE FT. LBS.
- # = WITH S.A.E. STANDARD SQUARE KEYWAY
- \* = WITH SHALLOW KEYWAY IN BUSHING
- o = MAX METRIC BORE WITH STANDARD KEYWAY

BUSHING CAN BE INSTALLED ON  
INLET OR OUTLET SIDE OF FAN



SHAFT (BY OTHERS) MUST  
FULLY ENGAGE BUSHING

WITH FAN OPERATING AT  
12000 FT/MINUTE BLADE TIP SPEED

DIA	PERCENT BLADE LOADING		C	D	H	
	100%	75%				
	A	B				
6'	4.6"	1.5"	1.3"	3.5"	2.0"	7.0"
7'	4.2"	1.8"	1.5"	3.8"	2.0"	7.0"
8'	3.8"	2.1"	1.8"	4.1"	2.0"	7.0"
9'	3.4"	2.6"	2.1"	4.6"	2.0"	7.0"
10'	3.0"	3.1"	2.4"	5.1"	2.0"	7.0"
11'	2.6"	3.8"	3.1"	5.8"	2.0"	7.0"
12'	2.2"	4.6"	3.6"	6.6"	2.0"	7.0"

MAX BLADES	BUSHING TYPE	MAX # BORE	MAX * BORE	MAX o BORE	I	F	G	L
6	U	2.750"	2.938"	75	7"	5.5", 8.0", 12"	2.7"	4000
8	U	2.750"	2.938"	75	9"		2.7"	4000
8	W	3.750"	4.000"	100	9"	5.5", 8.0", 12", 16", 20" 24"	2.8"	7300
10	W	3.750"	4.000"	100	12"		2.8"	7300
10	U	2.750"	2.938"	75	12"		2.7"	4000